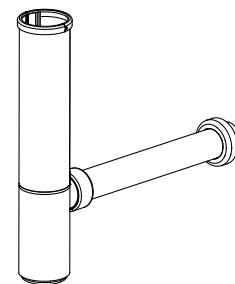
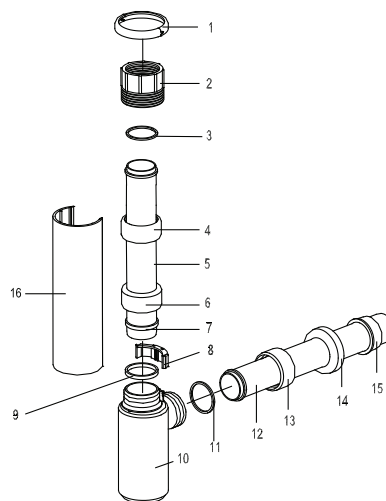


Geberit Montage

Diseno Washbasin Trap Art.No. 170.130.21.1



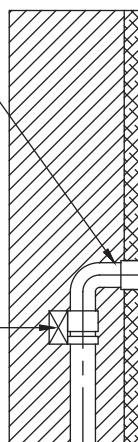
1. Finishing ring: ABS
2. 1½"-1¼" Adaptor: PP
3. Sealing ring: EPDM
4. Waste nut 1½": ABS
5. Riser pipe D40: ABS
6. Riser fastening nut: ABS
7. Squeeze ring
8. Clip: ABS
9. Quad ring: EPDM
10. Trap body: ABS
11. Quad ring: EPDM
12. Outlet pipe: ABS
13. Outlet pipe nut: ABS
14. Cover flange: ABS
15. Kee seal: EPDM
16. Cover shield: ABS



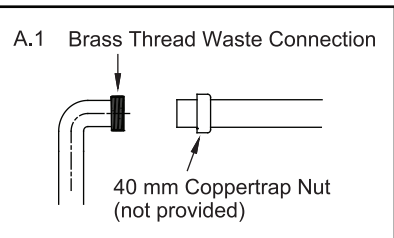
A Trap connects to the female socket of a 40mm DWV PVC fitting inside the wall

For brass DWV connection refer to detail A.1

Secure waste pipe with bracket

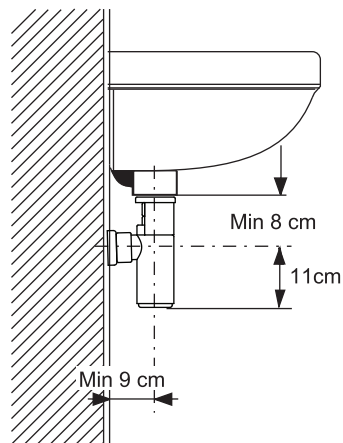


Trap Outlet
Depth Adjustable

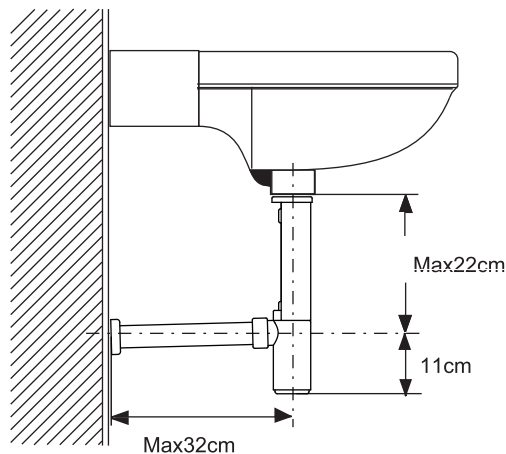


Trap Riser
Height Adjustable

B



C



Geberit Montage



Diseno Washbasin Trap Art.No. 170.130.21.1

